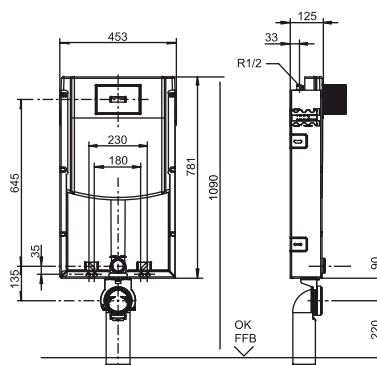


95.721.00..0000

SANIT Conc. WC module INEO IN without brackets



Item number

95.721.00..0000

Ean11

4013341086998

Product description

Concealed WC module INEO IN for wall-hung WC, with small access opening, front operated, for installation in/onto solid walls, comprising a U-shaped galvanised support frame with 6 fastening lugs, M12 WC fastenings, with pre-assembled SANIT concealed cistern (CC-121-S-FO-2V-2C) with insulation against condensation, with dual flush (7.5-4.5 litres / 4-2 litres), factory setting 6 and 3 litres, button function transmitted to INEO flush valve via flexible cables, connection to push plate via turn-click connection, SANIT fill valve Noise Class I, 2-part angle valve connection set R 1/2, mounting clip for drain bend 4-position adjustable, WC connecting bend 90deg DN 90(d:90) with reducing sleeve DN 90(d:90)/DN 100(d:110), with protection plug, WC connection set DN 90(d:90), protection box for access opening can be cut to size, flexible hose to fill valve can be screwed by hand, incl. all fastenings, with recess block, without brackets, without push plate, packed in a box

Test mark for concealed cistern: Noise Class I, tested to DIN EN 14055

Accessories:

- WC flush actuators
- brackets for floor fixation code no. 16.001.00..0000 - adjustable flush reducer code no. 05.261.00..0000