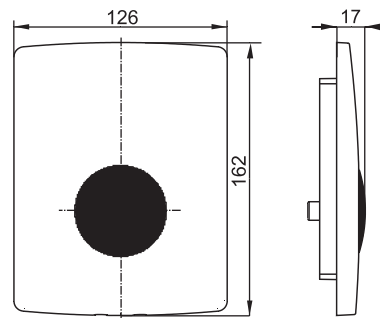
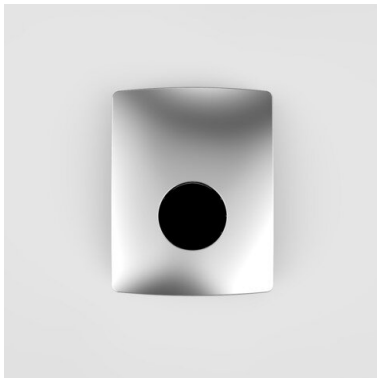


16.072.81..0000

## SANIT Urinal cover plate IR 230V mains chrome



### Item number

16.072.81..0000

### Ean11

4013341073479

### Product description

Urinal cover plate, infrared for cartridge valve technology, bidirectional contact-free flushing system controlled by infrared sensor, hygienic pre-flush when more than 5 minutes have passed since last use, with closing function in the event of a drop in the operating power supply, can be used with universal cartridge roughing-in set, urinals with a lid should not be used in conjunction with infrared controlled urinal flush systems, with closing function with decreasing operation voltage, optical signal when operating voltage is too low, plug contacts are fail-safe Height/width: 162x126 mm Height above tiles: 17 mm Minimum distance to opposite wall: 0.9 m Flow pressure: 0.5-8 bar, ideally 3-4 bar Flow rate: 0.3 l/sec. Power supply: 6V DC Pre-flush: approx. 0.5 sec., holding time approx. 5 sec. CE certified Factory setting: Sensor range: approx. 0.5 m (adjustable between 0.2-0.7 m) Main flush: approx. 6 sec. (adjustable between 3-24 sec.) Hygiene period/hygienic flush: 12 h after last use (adjustable between 1, 3, 6, 12, 24, 48, 72, 96, 108 h) Hygienic flush time: 5 sec. (adjustable between 5, 10, 15, 30, 60, 90, 120, 150, 180 sec.) Main flushing time and range can be adjusted via service and maintenance remote control DO-5.1S code no. 03.806.00..0000.

consisting of: cover plate incl. electronic module 6V DC solenoid cartridge valve and cartridge filter, packed in a box

Material/colour: plastic/chrome

Power supply: with 230V AC/6V DC power supply unit with 6V DC adapter plug, 600 mm cable

#### Accessories:

- service and maintenance remote control code no. 03.806.00..0000
- concealed power supply 230V AC/6V DC for single and series installations code no. 01.254.00..0000