



Standard Product

HEATMASTER-LOT#43

S.No	Parameters	Requirements
1	Model	HEATMASTER-WHITE
2	Carton Box	HEATMASTER
3	Manual	MLB1 for UAE & MLB6 or MLB7 for KSA
4	Warranty	3 Years
5	Volt (V)	220-240
6	Wattage (W)	1200 or 1500
7	Thermometer	Plain Grey
8	Doom Sticker	HEATMASTER
9	Lid Cover	Round Grey
10	Enamel Thickness	Standard
11	Anode Mounting	Yes (30L No)
12	Embossing	No
13	Additional Sticker	Yes (Energy label)
14	Bottom Safety Valve	Yes (without Lever)
15	Top Safety Valve	Yes -for Local, No for Export
16	Electric Cable	Yes
17	Hose Pipe	No
18	Die Electric Nut	No
19	Hooks	No
20	Origin Sticker	Local-Made in Saudi Arabia UAE- Made in Saudi Arabia manufactured by Saudi ceramic Co. Other- Made in KSA
21	EAN Code	No
22	Thermostat	Double Safety
23	Manual Book	Box Inside

- **Product Features*:**

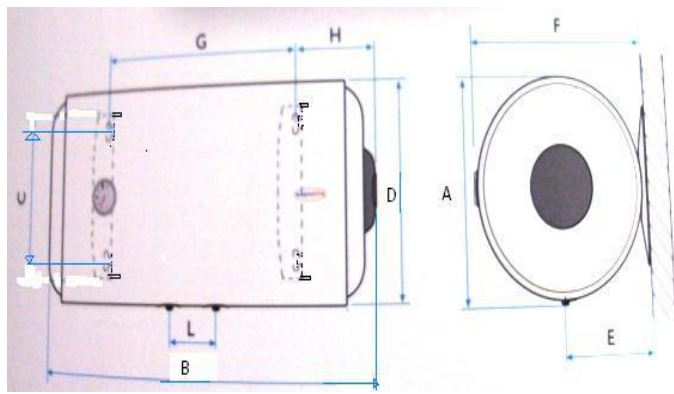
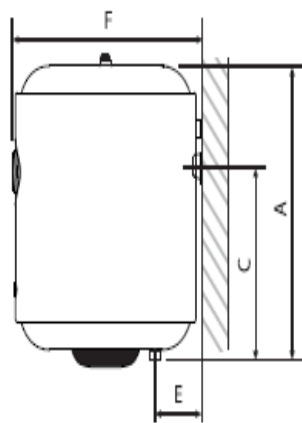
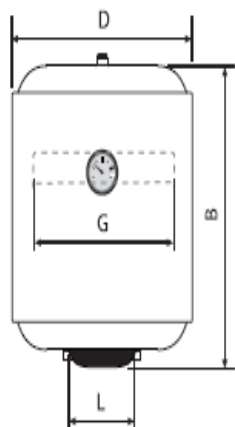
- ✓ Capacity: 30,50, 60, 80, 100, 120, 150 L
- ✓ Vertical and Horizontal wall mounted
- Flange type
- 1.5mm inner shell thickness and 0.6mm Outer shell thickness
- Magnesium Anode Provided
- Max Working pressure 7.5 bar
- Standard power available 1200W and 1500W as per Customer requirement
- Voltages from 220 - 240V
- Glass lined Enamel Boiler – to protect the boiler against rusting/deterioration
- Polyurethane insulation – Av. Mm thickness to have good heat preservation
- Outer casing - White Epoxy Polyester Coated Corrosion Resistant Steel

- The table shows the different sizes of EWH with corresponding dimensions, with different capacity in liters, power, voltage.

Model	A	B	C	D	E	F	G	H	L	LITER	W	V	HEATING TIME $\Delta t=45^{\circ}\text{C}$	MAX. PRESSURE Mpa	INSULATION THICKNESS mm	KG ($\pm 4\%$)
EWH (VERT)-																
EWH-V50	511	531	347	445	115	465	300		100	50	1200 1500	220-240	2H,30 2H,00	0.75	20	16.5
EWH-V80	749	769	584	445	115	465	300		100	80	1200 1500	220-240	3H,55 3H,10	0.75	20	22.5
EWH-V100	929	949	764	445	115	465	300		100	100	1500	220-240	4H,05	0.75	20	26.5
EWH-V120	1076	1096	911	445	115	465	300		100	120	1500	220-240	4H,55	0.75	20	30.5
EWH-V150	1310	1330	1145	445	115	465	300		100	150	1500	220-240	6H,00	0.75	20	36.5

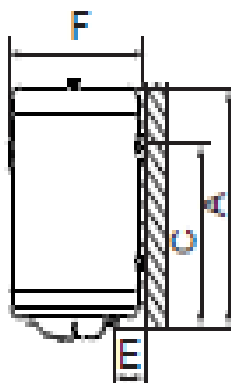
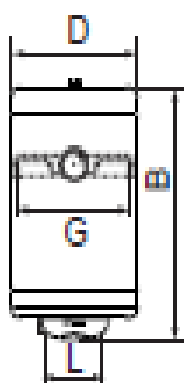
EWH (SLIM)																
EWH-V30SL	516	541	379	355	90	375	300		100	30	1200 1500	220-240	1H,30 1H,10	0.75	20	12.8

EWH (HOR)-																
EWH-H50	460	531	262	445	235	465	146	220	130	50	1200 1500	220-240	2H,30 2H,00	0.75	20	16.5
EWH-H80	460	769	262	445	235	465	383	220	130	80	1200 1500	220-240	3H,55 3H,10	0.75	20	22.5
EWH-H100	460	949	262	445	235	465	563	220	130	100	1500	220-240	4H,05	0.75	20	26.5
EWH-H120	460	1096	262	445	235	465	703	220	130	120	1500	220-240	4H,55	0.75	20	30.5
EWH-H150	460	1330	262	445	235	465	937	220	130	150	1500	220-240	6H,00	0.75	20	36.5



VERTICAL

HORIZONTAL



SLIM