

# INGCO

## Automatic Pump Control

**EN** Automatic Pump Control

**WAPS001**  
**UWAPS001**



**WAPS002**  
**UWAPS002**






**WAPS001 UWAPS001 WAPS002 UWAPS002**

 **ingcoglobal**  
 **INGCO GLOBAL**



# Instruction manual

## Safety precautions

This symbol    together with one of the following words "Danger" or "Warning" indicates the risk level deriving from failure to observe the prescribed Safety precautions:



**DANGER**  
risk of  
electric shock

Warns that failure to observe the precautions involves a risk of electric shock



**DANGER**

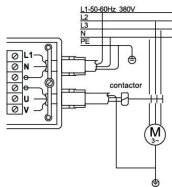
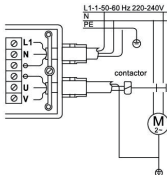
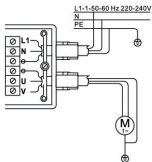
Warns that failure to observe the precautions involves a risk of damage to persons and/or things



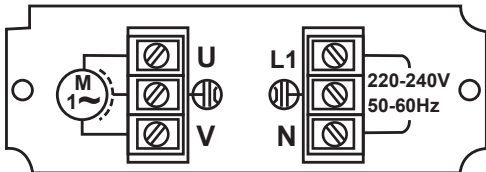
**WARNING**

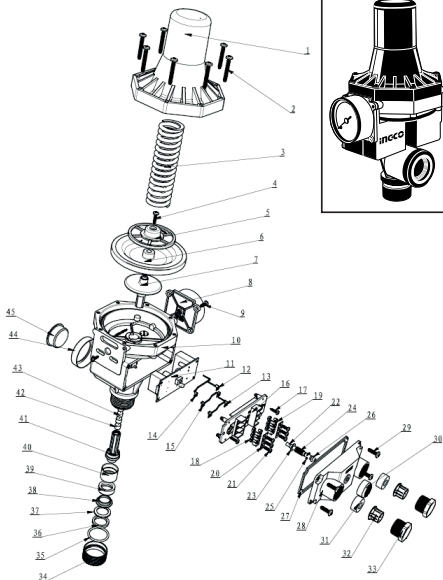
Warns that failure to observe the precautions involves the risk of damaging the pump and/or the plant

Item No.	WAPS001	UWAPS001
<b>Rated Voltage</b>	220-240V~50/60Hz	110-120V~60Hz
<b>Starting Pressure</b>	1.5Bar(22psi)	1.5Bar(22psi)
<b>Intensity Max</b>	10A	10A
<b>Max Power</b>	1100W	750W
<b>Protection Rating</b>	IP 65	IP 65
<b>Maximum Working Pressure</b>	10Bar(145psi)	10Bar(145psi)
<b>Water Temperature</b>	4°Ca35°C	4°Ca35°C
<b>Ambien Temperature</b>	-10°Ca+60°C	-10°Ca+60°C
<b>Connection</b>	1"male	1"male



<b>Item No.</b>	<b>WAPS002</b>	<b>UWAPS002</b>
<b>Rated Voltage</b>	220-240V~50/60Hz	110-120V~60Hz
<b>Starting Pressure</b>	1.5Bar(22psi)	1.5Bar(22psi)
<b>Intensity Max</b>	10A	10A
<b>Max Power</b>	1100W	750W
<b>Protection Rating</b>	IP 65	IP 65
<b>Maximum Working Pressure</b>	10Bar(145psi)	10Bar(145psi)
<b>Water Temperature</b>	4°Ca35°C	4°Ca35°C
<b>Ambien Temperature</b>	-10°Ca+60°C	-10°Ca+60°C
<b>Connection</b>	1"male	1"male



**INGCO****EXPLODED VIEW****WAPS002,UWAPS002**

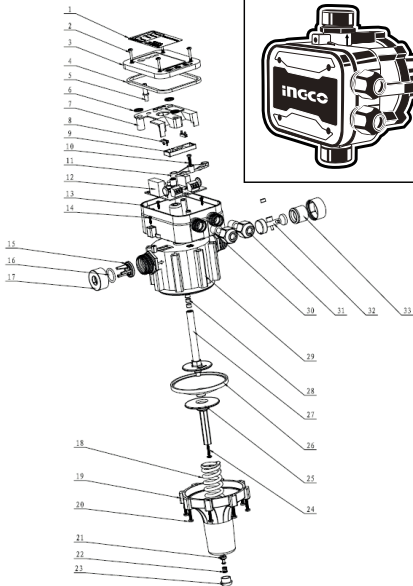




## SPARE PART LIST

### WAPS002,UWAPS002

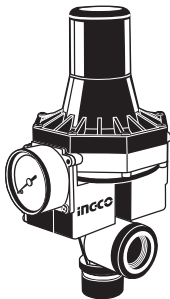
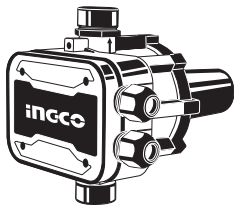
NO.	Part Description	Qty	NO.	Part Description	Qty
1	Head body	1	24	Reset spring	1
2	ST4.2 x 29.5-F screw	8	25	Circlip	1
3	Main pressure spring	1	26	Pressure regulating nut O ring	1
4	ST3.5 x 16-C screw	1	27	Face seal ring	1
5	Pressure bar base	1	28	panel	1
6	diaphragm	1	29	ST4.2 x 13-F screw	4
7	Pressure bar	1	30	Red cap	1
8	Pressure gauge component	1	31	Coils	2
9	ST3.9 x 13-C screw	2	32	Line card	2
10	Medium body	1	33	Hexagon nut	2
11	PCB module	1	34	Threaded hood	1
12	Connector L	1	35	Middle body O ring	1
13	Connector T	1	36	Retreating circle	1
14	Connector Z	1	37	Snap ring	1
15	Connector C	1	38	Ring	1
16	PCB support	1	39	Water outlet	1
17	ST2.9 x 11.6-C screw	3	40	Medium bushing	1
18	M3 x 8 nut	6	41	Check valve	1
19	Double wing	6	42	Magnetic steel 8 x 6	2
20	Shim	6	43	Magnetic steel 8 x 5	3
21	M3 x 8 mechanical screw	6	44	sheath	1
22	Reposition column	1	45	Water cover	1
23	Circular gasket	1			

**INGCO****EXPLODED VIEW****WAPS001,UWAPS001**

**INGCO****SPARE PART LIST****WAPS001,UWAPS001**

No.	Part Description	Qty
1	trademark	1
2	ST3.9*28/12-F screw	4
3	panel	1
4	Face seal ring	1
5	Button column	1
6	Plum hole retaining ring	3
7	PCB press plate	1
8	Reed support	2
9	Connection post	1
10	ST3.9*19-C screw	1
11	Press line	1
12	PCB module	1
13	Box	1
14	ST2.9*11.6-C screw	3
15	Check valve	1
16	Check valve type O ring	1
17	Threaded hood	2
18	Main pressure spring	1
19	Head body	1
20	ST4.2*31-F screw	8
21	Cap core	1
22	Cap spring	1
23	skullcap	1
24	ST3.5*22-C screw	1
25	Short rod	1
26	diaphragm	1
27	Long rod	1
28	Magnetic steel	4
29	Medium body	1
30	Press ring	2
31	Hexagon nut	2
32	Copper float module	1
33	Copper sleeve	1

# INGCO



INGCO TOOLS CO.,LIMITED

[www.ingco.com](http://www.ingco.com)

MADE IN CHINA

0620.V09

**WAPS001 UWAPS001 WAPS002 UWAPS002**