



Standard Product

SUPER AQUAHOT-LOT#02		
S.No	Parameters	Requirements
1	Model	Cerosa-WHITE
2	Carton Box	Cerosa
3	Manual	MLB1 for UAE & MLB6 or MLB7 for KSA
4	Warranty	5 Years
5	Volt (V)	220-240 V
6	Wattage (W)	1200 or 1500
7	Thermometer	Plain Grey
8	Doom Sticker	Cerosa
9	Lid Cover	Shell Type White with Grey Knob
10	Enamel Thickness	Standard
11	Anode Mounting	Yes (30L No)
12	Embossing	No
13	Additional Sticker	Energy Label- Based on Country requirement
14	Bottom Safety Valve	Yes (without Lever)
15	Top Safety Valve	Yes -for Local, No for Export
16	Electric Cable	Yes
17	Hose Pipe	No
18	Die Electric Nut	No
19	Hooks	Yes
20	Origin Sticker	Local-Made in Saudi Arabia UAE- Made in Saudi Arabia manufactured by Saudi ceramic Co. Other- Made in KSA
21	EAN Code	No
22	Thermostat	Double Safety
23	Manual Book	Box Inside

• **Product Features*:**

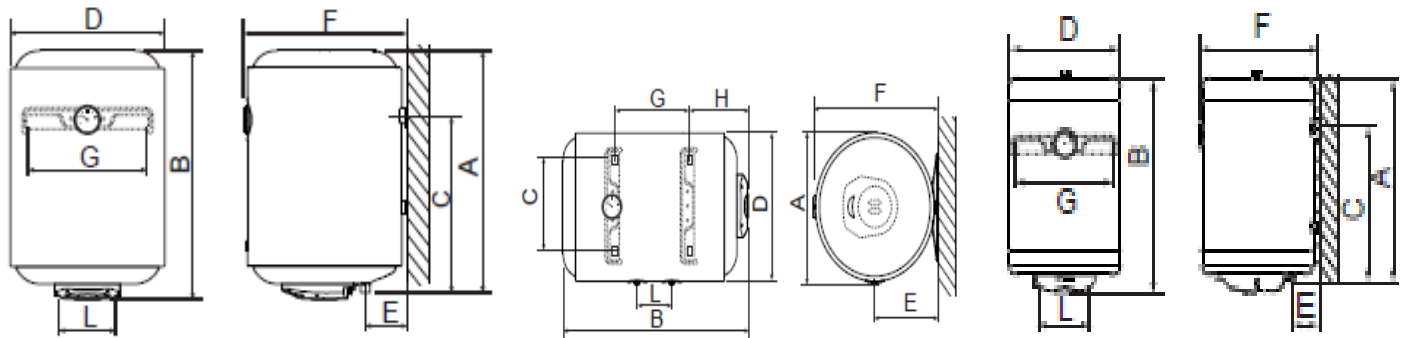
- ✓ Capacity: 30,50, 60, 80, 100, 120, 150 L
- ✓ Vertical and Horizontal wall mounted
 - Flange type
 - 1.5mm inner shell thickness and 0.6mm Outer shell thickness
 - Magnesium Anode Provided
 - Max Working pressure 7.5 bar
 - Standard power available 1200W, 1500W & 2000W as per Customer requirement
 - Voltages from 220 - 240V
 - Glass lined Enamel Boiler – to protect the boiler against rusting/deterioration
 - Polyurethane insulation – Av. thickness to have good heat preservation
 - Outer casing - White Epoxy Polyester Coated Corrosion Resistant Steel

The table shows the different sizes of EWH with corresponding dimensions, with different capacity in liters, power, voltage.

Model	A	B	C	D	E	F	G	H	L	LITER	W	V	HEATING TIME $\Delta t=45^{\circ}\text{C}$	MAX. PRESSURE Mpa	INSULATION THICKNESS mm	KG ($\pm 4\%$)
EWH (VERT)-																
EWH-V50	511	531	347	445	115	465	300		100	50	1200 1500	220-240	2H,30 2H,00	0.75	20	16.5
EWH-V80	749	769	584	445	115	465	300		100	80	1200 1500	220-240	3H,55 3H,10	0.75	20	22.5
EWH-V100	929	949	764	445	115	465	300		100	100	1500	220-240	4H,05	0.75	20	26.5
EWH-V120	1076	1096	911	445	115	465	300		100	120	1500	220-240	4H,55	0.75	20	30.5
EWH-V150	1310	1330	1145	445	115	465	300		100	150	1500	220-240	6H,00	0.75	20	36.5

EWH (SLIM)																
EWH-V30SL	516	541	379	355	90	375	300		100	30	1200 1500	220-240	1H,30 1H,10	0.75	20	12.8

EWH (HOR)-																
EWH-H50	460	531	262	445	235	465	146	220	130	50	1200 1500	220-240	2H,30 2H,00	0.75	20	16.5
EWH-H80	460	769	262	445	235	465	383	220	130	80	1200 1500	220-240	3H,55 3H,10	0.75	20	22.5
EWH-H100	460	949	262	445	235	465	563	220	130	100	1500	220-240	4H,05	0.75	20	26.5
EWH-H120	460	1096	262	445	235	465	703	220	130	120	1500	220-240	4H,55	0.75	20	30.5
EWH-H150	460	1330	262	445	235	465	937	220	130	150	1500	220-240	6H,00	0.75	20	36.5



VERTICAL

HORIZONTAL

SLIM