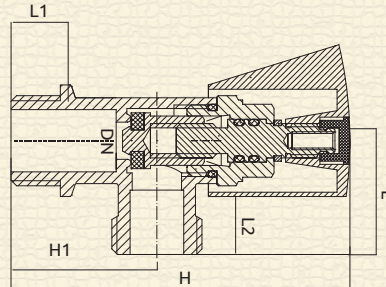
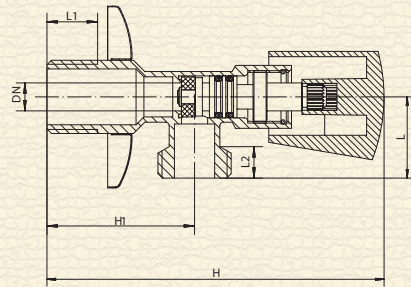
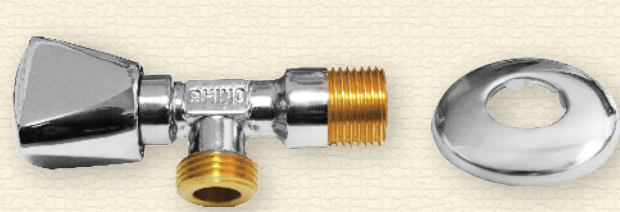
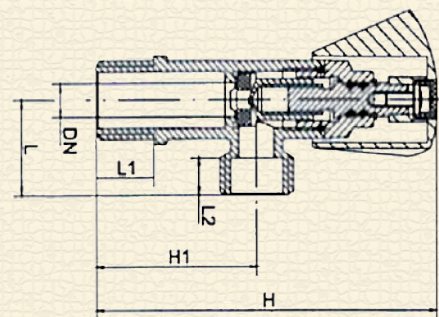
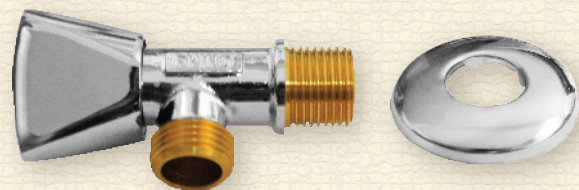


ANGLE VALVE



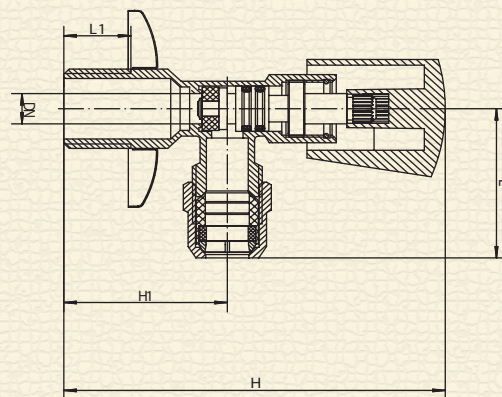
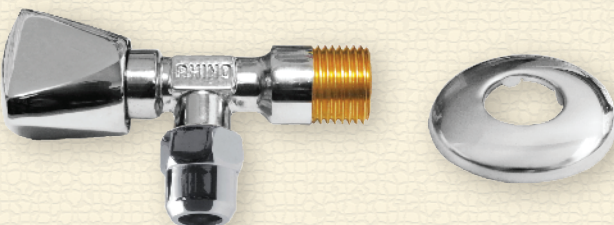
Forged Brass Body with Chrome Plating
Normal Pressure : 16Bar
With S.S. 304 Grade rosette

| Product code | Size | L | L1 | L2 | H | H1 | DN |
|--------------|-------------|-------|------|----|------|-------|----|
| RH7102012 | 1/2" X 1/2" | 23.25 | 14.5 | 9 | 96.5 | 42.25 | 8 |
| RH7102238 | 1/2" X 3/8" | 23.25 | 16 | 9 | 91 | 39 | 8 |



Forged Brass Body with Chrome Plating
Normal Pressure : 16Bar
With S.S. 304 Grade rosette
With spare indice

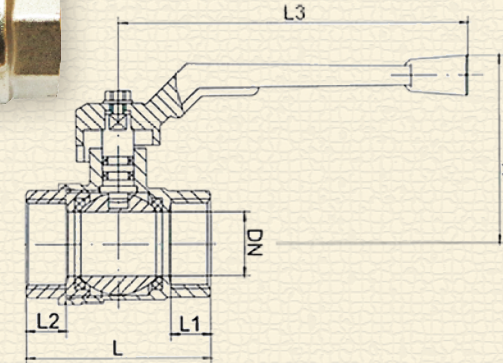
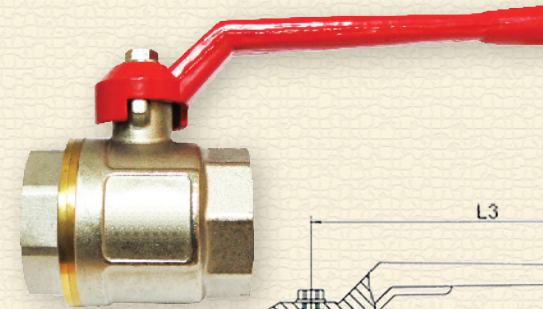
| Product code | Size | L | L1 | L2 | H | H1 | DN |
|--------------|-------------|-------|-------|-------|----|-------|------|
| RH7101612 | 1/2" X 1/2" | 24.75 | 17.00 | 10.00 | 85 | 39.50 | 8.50 |



Forged Brass Body with Chrome Plating
Normal Pressure : 16Bar
With S.S. 304 Grade rosette
With M10 Conical Nut
With Spare indice

| Product code | Size | L | L1 | H | H1 | DN |
|--------------|-------------|------|----|----|----|----|
| RH7102138 | 1/2" X 3/8" | 39.5 | 16 | 91 | 39 | 8 |

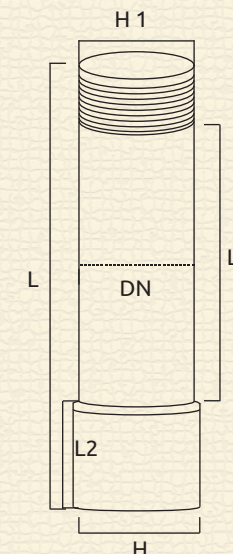
BRASS BALL VALVE



Forged Brass Body
Forged Aluminium Handle
Working Pressure PN25

| Product code | Size | L | L1 | L2 | L3 | H | DN |
|--------------|--------|--------|-------|-------|--------|--------|-------|
| RHHBV12 | 1/2" | 48.50 | 12.00 | 12.00 | 95.00 | 45.00 | 10.00 |
| RHHBV34 | 3/4" | 55.00 | 12.00 | 12.00 | 95.00 | 52.00 | 19.00 |
| RHHBV100 | 1" | 63.00 | 13.00 | 13.00 | 107.00 | 55.00 | 24.00 |
| RHHBV114 | 1 1/4" | 77.00 | 14.50 | 14.50 | 120.00 | 71.25 | 32.00 |
| RHHBV112 | 1 1/2" | 83.00 | 16.00 | 16.00 | 157.00 | 75.00 | 37.00 |
| RHHBV200 | 2" | 99.00 | 19.00 | 19.00 | 157.00 | 81.00 | 45.00 |
| RHHBV300 | 3" | 146.00 | 26.00 | 26.00 | 243.00 | 122.55 | 71.00 |
| RHHBV400 | 4" | 172.40 | 26.50 | 26.50 | 243.00 | 148.00 | 92.00 |

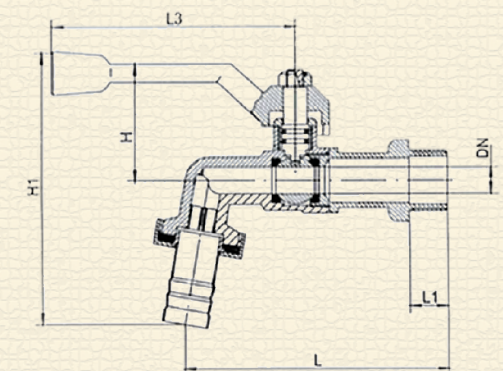
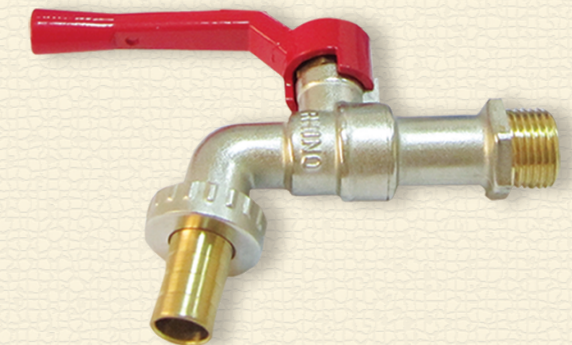
BRASS PUMP OUTLET EXTENSION



Forged Brass Body

| Product code | Size | L | L1 | L2 | H | H1 |
|--------------|------|-----|----|----|----|----|
| RH1001FM100 | 1" | 100 | 84 | 24 | 35 | 30 |

BALL BIB TAP / HOSE COCK



Forged Brass Body
Aluminium Handle
Working Pressure PN10

| Product code | Size | L | L1 | L2 | H | H1 | DN |
|--------------|------|-----|----|-----|----|-----|----|
| RHMKT1512 | 1/2" | 88 | 11 | 78 | 48 | 98 | 10 |
| RHMKT2034 | 3/4" | 95 | 12 | 78 | 48 | 101 | 12 |
| RHMKT25100 | 1" | 115 | 15 | 100 | 57 | 110 | 15 |



This certifies that

AQUATEKNIK (FZE)

has had the undermentioned product examined, tested and found, when correctly installed, to comply with the requirements of the United Kingdom Water Supply (Water Fittings) Regulations and Scottish Water Byelaws.

RHINO 7.F226S SERVICING VALVE

The certificate by itself is not evidence of a valid WRAS Approval. Confirmation of the current status of an approval must be obtained from the WRAS Directory (www.wras.co.uk/directory)

The product so mentioned will be valid until the end of:

July 2019

1407967

Certificate No.

Secretary

Chairman, Product Assessment Group

The Water Regulations Advisory Scheme Ltd. Registered in England No. 06663930 Registered office: 13 Newby Road, Hazel Grove, Stockport, Cheshire, SK7 5DA
Tel: +44(0)1333 207 9030 Fax: +44(0)1495 248 540 Email: info@wras.co.uk website: www.wras.co.uk



BRASS PLUMBERS WARE

**HIGH STANDARD OF QUALITY
AND DURABILITY!**

**BRASS
ANGLE
VALVES**

**BRASS
BALL
BIB TAPS**

**BRASS
BALL
VALVES**

**BRASS
PLUMBERS
WARE**

www.rhinovalves.com

www.rhinovalves.com